



WOLF'S HEAD  
狼頭牌

## LIHYANN INDUSTRIAL CO.,LTD

753, Sec 1, Si-Nan Rd., Wurih, 41465 Taichung, Taiwan

TEL: +886-4-23351588 FAX: +886-4-23359383

E-mail:marketing@lihyann.com

http://www.lihyann.com

Presented by:



WOLF'S HEAD  
狼頭牌

# ONE-STOP SOLUTION AUTO TOOLS

**GARAGE SERVICE EQUIPMENTS**

*High Efficiency, Labour-Saving, Cost Effective.*



ISO 9001:2008

2015-16



ONE-STOP SOLUTION

LIHYANN INDUSTRIAL CO.,LTD. 2015-2016





**GARAGE SERVICE EQUIPMENT**

**High Efficiency , Labour Saving , Cost Effective**

LihYann Industrial Co. Ltd. has been in the forefront of product development and manufacturing in Taiwan since 1974, providing a wide range of practical items and solutions for both auto services and hardware tool markets. Among its important achievements is the development of the world's first vacuum oil-extractor, which has revolutionized the process of oil exchange in both application efficiency and cost-effectiveness.

Dedicated to research and development, LihYann has over the years introduced numerous originally designed models of machines and equipment for auto maintenance and lubricating services, earning the company over 100 patents concerning both technical and functional aspects of various products. All its products have been tested and approved to meet the demand of times. Its product range covers oil-extracting equipment, hardware tools and other auto-related products.



	<b>ATF Series</b>	<b>1</b>
	<b>Oil Suction Series</b>	<b>5</b>
	<b>Oil Dispensing Series</b>	<b>11</b>
	<b>Power Steering and Engine Flush Service</b>	<b>12</b>
	<b>Waste Oil Drainer Series</b>	<b>13</b>
	<b>Oil Filter Crusher</b>	<b>16</b>
	<b>Exhaust Management Series</b>	<b>18</b>
	<b>Carbon Cleaning Service Series</b>	<b>19</b>
	<b>Parts Cleaning / Hygiene Service</b>	<b>21</b>
	<b>Cooling System Service Series</b>	<b>24</b>
	<b>Brake System Service Series</b>	<b>32</b>
	<b>Body Works Tool</b>	<b>39</b>
	<b>Professional Tool Cart Series</b>	<b>41</b>
	<b>Centralized Fluid Management System</b>	<b>46</b>

**AT-3000 Digital ATF Exchanger**

The AT-3000 incorporates the latest micro-computer technology available today. This makes it the easiest and most accurate ATF machine in the market. It calculates the total flow of the used ATF fluid being pumped out from the transmission and simultaneously pumps in the exact amount of new ATF fluid into the transmission. This process eliminates any possibility of over-filling the transmission. Since it does not restrict the flow of the return line on the transmission this results in a faster exchange of fluid with minimal mixing of fluids.

**System Features**

- ▶ Micro-processor controlled.
- ▶ Fully-automatic and easy to operate. (no valves or flow adjustments to regulate)
- ▶ Extremely fast (2-3 min on most vehicles.) to exchange fluid. (this is an important feature when using chemical cleaners, so that no cleaner is mixed with new fluid)
- ▶ Sight tubes provide dramatic visual confirmation of fluid exchange.
- ▶ Allows for quick diagnosis of transmission by reading the PRESSURE and FLOW of transmission fluid in circulate mode.
- ▶ Compact design.
- ▶ Has built-in pressure release, eliminates any possibility of over-pressuring transmission.
- ▶ Built-in timer for cleaning cycle.

MODEL	AT-3000
DIMENSION	550x480x1050mm
WEIGHT	75kgs
POWER	12 V
PUMP	Gear Pump



**AT-1000A Professional ATF Exchanger**

AT-1000A is equipped with flow regulator which provides most convenience of connecting to the vehicle.

MODEL	AT-1000A
CAPACITY	Used Fluid & New Fluid 20L Separate
DIMENSION	650X530X980 mm
WEIGHT	46.24 kgs
VOLTAGE	110V or 220V
PUMP	Gear Pump

PAT:

5.918.647	6.450.294	6.227.332	6.450.252
-----------	-----------	-----------	-----------

**With Oil Suction Function**



**PROFESSIONAL TYPE**

**WH-202 Semi Automatic ATF Exchanger**

- ▶ It's never easy to replace waste fluid completely by traditional method.
- ▶ The new fluid is easy to mix with old one during the exchange.
- ▶ The result induces, slow acceleration, shaking while shifting gears, over heating and excessive fuel consumption.
- ▶ ATF exchanger can solve the problems and restore the performance of gear box.

MODEL	WH-202
FEATURE	Circulate, Flush,exchange
CAPACITY	Used Fluid & New Fluid 20L Separate
WEIGHT	46 kg
DIMENSION	610X565X900 m/m
OIL-OUTPOUR	3-4L
VOLTAGE	110V or 220V
PUMP	Gear Pump

**WH-202A Semi Automatic ATF Exchanger**

MODEL	WH-202A
FEATURE	Flush,exchange,oil suction
CAPACITY	Used Fluid & New Fluid 20L Separate
WEIGHT	55 kg
DIMENSION	610X565X900 m/m
OIL-OUTPOUR	3-4L
VOLTAGE	110V, 220V
PUMP	Gear Pump

**With Oil Suction Function**

**WH-320 ATF Fitting Connectors**

- ▶ Standard set for AT-1200A,WH-202,WH-202A.



Include WH-198



NO	Suitable for motorcar
1	MERCEDES BENZ, SIERRA, LANCIA
2	BMW
3	GM
4	ALPHA ROMEO
5	VOLVO
6	VW / RENAULT
7	AUDI / RENAULT
8	JAPANESE / TAIWANESE/ KOREAN / OPEL cars
9	SAAB / CITROEN / LANCIA
9A	CITROEN /LANCIA
10	JAPANESE / TAIWANESE/ KOREAN / OPEL cars
11	JAPANESE / TAIWANESE/ KOREAN / OPEL cars
12	VW / AUSTIN (with level stick)
13	PEUGEOT 405 / AUSTIN2000cc (with level stick)
15	90° Angle fitting for BMW and TOYOTA
16	VOLVO 850
17	OPEL CORSA
2A	Special use for BMW after 1996
I	5/8" CONNECTOR HOSE
F	5/16" CONNECTOR HOSE
H	1/2" CONNECTOR HOSE
G	3/18" CONNECTOR HOSE
S	(Snap in style fittings) 9MM/10MM
T	(Snap in style fittings) 11MM/12MM
U	(Snap in style fittings) 13MM/16MM/19MM/23MM

**ECONOMY TYPE**



**PRACTICAL TYPE**



**K-10A Transmission Filling System**

- ▶ Manual operated pump to fill seal transmission system
- ▶ Standard and optional adaptors cover all CVT and DSG design
- ▶ Pump stroke to minimize leakage when reaching overflow point
- ▶ Fluid control valve to shut off dispensing immediately
- ▶ Large transparent tank to see through fluid level

Model	K-10A
Dimension	260x370x595 m/m
Capacity	7.5 L
Weight	3.44 kg



Include WH-320D  
AT-101 ~ AT-105  
5PCS



**K-10A-2 Transmission Filling System**

- ▶ Manual operated pump to fill seal transmission system
- ▶ Standard and optional adaptors cover all CVT and DSG design
- ▶ Pump stroke to minimize leakage when reaching overflow point
- ▶ Fluid control valve to shut off dispensing immediately
- ▶ Large transparent tank to see through fluid level

Model	K-10A-2
Dimension	260x370x595 m/m
Capacity	7.5 L
Weight	3.44 kg



Include WH-320DG  
AT-101 ~ AT-108  
8PCS



**WH-9004E1 Drain Pan with Level Scale**

- ▶ Transparent design to see through the draining volume
- ▶ Very useful in transmission fluid change
- ▶ Check drain old fluid volume before filling new fluid to prevent waste

Model	WH-9004E1
Dimension	350x320x110 m/m
Capacity	4.5 L
Weight	210 g



**Attachment specification for Transmission Filling System**

AT-101 **FORD** 1/8 NPT



AT-102 **Universal (BMW, HONDA, NISSAN, etc.)**



AT-103 **VW/AUDI**



AT-104 **VW/AUDI, PORSCHE**



AT-105 **VW/AUDI, MINI COOPER** 10x1.0



AT-106 **MERCEDES 722.9** 12x1.5



AT-107 **DSG** 24x1.5



AT-108 **VW/AUDI CVT** 22x1.5



AT-109 **VOLVO** 5/16x24 (Optional)



AT-110 **TOYOTA/LEXUS** 18x1.5 (Optional)



AT-111 **SKODA** 30x1.5 (Optional)



AT-112 **VW/Passat and Tiguan after 2007** (Optional)



AT-113 **Infiniti 7 speed** M8x1.0 (Optional)



AT-114 **Universal** (Optional)



225020 (Optional)  
For spare fluid



WH-320G (Optional) for K-10A  
include AT-106、AT-107、AT-108



WH-320HA (Optional) for K-10A  
include(AT-101~AT-112)

## WH-198 Oil Quality Comparator

- ▶ The accessory provides the ability to examine oil quality visually.

Model	WH-198
Dimension	310x215x65 mm
Weight	1 kg



## Syringe for Vehicle Fluid Change

- ▶ Transparent design to see fluid visually.
- ▶ Suitable for fluid suction and supply in vehicle service.
- ▶ Applications such as gear oil and differential fluid.
- ▶ Composite plastic resists to brake fluid and antifreeze.

Model	J1-200	J1-1500
Weight	0.294 kg	0.9 kg
Capacity	200 cc	1.5 L
Usage	Brake fluid	Oil



## LY-2051 Vacuum Pump Oil Extractor

**With oil dispensing function**

- ▶ Vacuum pump provides strong & constant vacuum force.
- ▶ Glass vacuum chamber to monitor waste oil extraction.
- ▶ Separate loop design to prolong pump life.

Model	LY-2051
Dimension (mm)	710x650x1280
Capacity	60L
Vacuum chamber capacity	18L
Internal oil tank capacity	42L
weight	119kg
Oil refuel hose power	0.28
New oil capacity	6L
Oil suction capacity	5.6 L/min



Oil Submersible Vacuum Pump

**DELUXE TYPE**



Patents Granted in Following Nations

Taiwan	153477	USA	5.918.647
Japan	3064234	Germany	299197476

## LY-205 Vacuum Pump Oil Extractor

Model	LY-205
Dimension (mm)	710x650x1280
Capacity	60L
Vacuum chamber capacity	18L
Internal oil tank capacity	42L
weight	99kg
Oil suction capacity	5.6 L/min

**PROFESSIONAL TYPE**

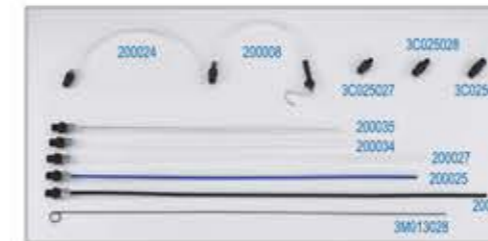


Patents Granted in Following Nations

Taiwan	153477	USA	5.918.647
Japan	3064234	Germany	299197476

## SUCTION TUBES (for LY-2051/LY-205)

- ▶ To extract engine oil from automobiles and motorcycles.
- ▶ To extract crank case oil from various automobiles.
- ▶ To extract gearbox oil from various automobiles.
- ▶ To extract automatic transmission fluid from various automobiles.



3C025026	BENZ Connector	200034	5.8 m/m oil suction tube
3C025028	BENZ/BMW connector	200027	6 m/m oil suction tube
3C025027	Connector for coolant	200025	6 m/m steel oil suction tube
200008	Connector for brake fluid suction	200026	7 m/m steel oil suction tube
200024	3/8" gear oil tube	3M013028	Steel string
200035	Aluminium tube		

## PA-1011A Combo Fluid Extractor

- ▶ Uses both manual or air for operation.
- ▶ Venturi system design to provide excellent performance.
- ▶ Capacity:10L
- ▶ Maintenance free.

Model	PA-1011A
Dimension	265x315x650 mm
Capacity	10 L
Weight	4.8 kg
Oil Depletion	Manual or Air



For both manual and air operation

**10 L**



## GP-10A Pneumatic Fluid Extractor

- ▶ Adopt durable polyethylene material.
- ▶ Venturi design with air power operated.
- ▶ Capacity:10L
- ▶ Maintenance free.
- ▶ Suction tubes included.
- ▶ For both oil and coolant.

Model	GP-10A
Dimension	180x280x530 mm
Capacity	10 L
Weight	2.78 kg
Oil Depletion	Manual
Power	Air



**10 L**



Operation in laying position.



## T-80AG 80L Air Gear Pump Oil Extractor / Drainer

- ▶ Oil level sight tube.
- ▶ Telescopic tube adjusts from 1140~1582mm.
- ▶ Extra large diameter drain pan and removable filter.
- ▶ Safe pressure depletion of waste oil.
- ▶ No lifting, pouring or spillage.
- ▶ Gear pump fitted to extract oil via the dipstick.
- ▶ For use on gearbox oil, automatic transmission oil and in motorcycle.
- ▶ Gear pump design.

Model	T-80AG
Dimension	470x560x1140~1582 mm
Capacity	80 L
Weight	38 kg
Power	Air
Pump	1/4" Gear pump



Air Gear pump

80 L



## LY-90T 90L Air Gear Pump Oil Extractor / Drainer

- ▶ Oil level sight tube.
- ▶ Extra large diameter drain pan and removable filter.
- ▶ Safe pressure depletion of waste oil.
- ▶ No lifting, pouring or spillage.
- ▶ Gear pump fitted to extract oil via the dipstick.
- ▶ For use on gearbox oil, automatic transmission oil and in motorcycle.
- ▶ Gear pump design.
- ▶ Large glass chamber.

Model	LY-90T
Dimension	600x600x1390 mm
Weight	38.94 kg
Capacity	Chamber: 8L, Tank: 80L
Power	Air
Pump	1/4" Gear pump



Air Gear pump

90 L



## SUCTION TUBES (for T-80AG / LY-90T / LY-60T / LY-90A / OK-3NG / T-80CJV)

- ▶ To extract engine oil from automobiles and motorcycles.
- ▶ To extract crank case oil from various automobiles.
- ▶ To extract gearbox oil from various automobiles.
- ▶ To extract automatic transmission fluid from various automobiles.

200024	3/8" gear oil tube
200035	Aluminum tube
200027	6 m/m oil suction tube
200025	6 m/m steel oil suction tube
200026	7 m/m steel oil suction tube
3M013028	Steel string



## LY-90A 90L Air Venturi Oil Extractor

- ▶ Waste oil mobile reservoirs to be used for motor and gear oil collection.
- ▶ Drainers can be used under vehicle lifts or inside lubrication pit.
- ▶ Large handle for easy maneuverability.
- ▶ Two brake wheels (Ø3") and two casters (Ø3").
- ▶ Extra large drain bowl / Adjustable collecting bowl / For the convenient and safe collection.
- ▶ Venturi design.

Model	LY-90A
Dimension	600x600x1390 mm
Capacity	Chamber: 8L, Tank: 80L
Weight	37.94 kgs
Power	Air
Oil Draining	Air Pressure

90 L



## LY-70P 70L Venturi System Oil Extractor

- ▶ Waste oil mobile reservoirs to be used for motor and gear oil collection.
- ▶ Drainers can be used under vehicle lifts or inside lubrication pit.
- ▶ Large handle for easy maneuverability.
- ▶ Two brake wheels (Ø3") and two casters (Ø3").
- ▶ Extra large drain bowl / Adjustable collecting bowl / For the convenient and safe collection.
- ▶ Venturi design.

Model	LY-70P
Dimension	600x600x1390 mm
Capacity	Chamber: 10L, Tank: 60L
Weight	28.84 kgs
Power	Air
Oil Draining	Air Pressure

70 L



## OK-3NG 12L Electrical Gear Pump Oil Extractor

**BASIC TYPE**

- ▶ New handle and caster design for convenient use.
- ▶ Aluminum alloy pump, quality guaranteed use.
- ▶ Come with suction tubes.
- ▶ Gear pump design.

Model	OK-3NG
Dimension	450x430x890 mm
Capacity	12 L
Weight	31 kg
Voltage	110V or 220V
Power	Electric

12 L



Electric Gear pump



**T-80CJV 80L Waste Oil Drainer / Extractor**

- ▶ Waste oil mobile reservoirs to be used for motor and gear oil collection.
- ▶ Drainers can be used under vehicle lifts or inside lubrication pit.
- ▶ Large handle for easy maneuverability.
- ▶ Two brake wheels (Ø3") and two casters (Ø3").
- ▶ Extra large drain bowl / Adjustable collecting bowl / For the convenient and safe collection.
- ▶ Venturi design.
- ▶ Telescopic tube adjusts from 1160~1370mm.

Model	T-80CJV
Dimension	450x450x1160~1370 mm
Capacity	80 L
Weight	30 kg
Power	Air
Oil Draining	Air Pressure

80 L



**GP-2A 16L Air Gear Pump Oil Extractor**

- ▶ Check oil level visually.
- ▶ Gear pump fitted to extract oil via the dipstick.
- ▶ Comes with suction tubes.
- ▶ Gear pump design.

Model	GP-2A
Dimension	310x330x1020 mm
Capacity	16 L
Weight	9 kg
Power	Air

16 L



Air Gear pump



**GP-200 Electrical Gear Pump Oil Extractor**

- ▶ Separate loops design for oil suction & supply services.
- ▶ 1/2" gear pump.
- ▶ Both oil suction & supply services.
- ▶ Large extraction capacity.
- ▶ Filter installed to clean waste oil.
- ▶ Large wheel design provides high maneuverability.

Model	GP-200
Dimension	460x470x1030 mm
Weight	40.3 kg
Voltage	110V/60HZ
Oil suction capacity	16 L/min



1/2" Gear pump  
For Large Volume Job



**GP-RS 12V Portable Oil Transfer Pump**



200024	3/8" x400 mm gear oil tube
200046	6 x400 mm oil suction tube
200047	5/16" x400 mm oil suction tube

Model	GP-RS
Dimension	355x270x170 mm
Weight	3.1 kg
Voltage	DC-12V
Oil suction capacity	3~4 L/min
Capacity	7.5 L



**LY-90F 90L Stainless Fuel Retriever**

- ▶ Venturi design with air power operated.
- ▶ 90L stainless steel tank.
- ▶ Suck in and refill gasoline during maintenance job.
- ▶ Safety valve design.
- ▶ CE certified (97/23/EC PED).
- ▶ Provided with earth line.

CE 0035 Ex IIC GD TX  
Sira 12XT079

Model	LY-90F
Dimension	530x530x1100 mm
Weight	28.3 kg
Capacity	90 L
Power	Air



90 L



201027	3/8" oil suction tube x 2 pcs
201028	1/2" oil suction tube
201029	5/16" oil suction tube
201030	4 X 6 oil suction tube
201031	1/2" PVC oil drainer tube



**LY-40FS 40L Stainless Fuel Retriever**

- ▶ Venturi design with air power operated.
- ▶ No petrol fume during operation.
- ▶ Suck in and refill gasoline during maintenance job.
- ▶ Safety valve design.

CE 0035 Ex IIC GD TX  
Sira 12AT080

Model	LY-40FS
Dimension	420x390x940 mm
Weight	15.5 kg
Capacity	40 L
Power	Air

40 L



**Optional Adaptors For Fuel Retriever**

201123



3M025382



3M025383



## OIL DISPENSER SERIES

### Pressure Fluid Dispenser

#### AC-5A

- ▶ Maneuverable oil dispensing units for convenient and safe oil handling in the workshop.
- ▶ Suitable for any vehicles.
- ▶ Easy to operate and user friendly.

40 L



Model	AC-5A	AC-6A
Dimension	450x430x1050 mm	450x430x1050 mm
Capacity	40 L	80 L
Weight	20 kg	36 kg
Power Source	air pressure	air pressure

#### AC-6A

- ▶ Maneuverable oil dispensing units for convenient and safe oil handling in the workshop.
- ▶ Suitable for any vehicles.
- ▶ Easy to operate and user friendly.

80 L



#### AC-10A 10L Pressure Fluid Dispenser

- ▶ Adopt durable polyethylene material.
- ▶ Venturi design with air power operated.
- ▶ Capacity:10L
- ▶ Maintenance free.
- ▶ Easy dispensing job.
- ▶ Safety valve design.



10 L

Model	AC-10A
Dimension	550x310x180 m/m
Capacity	10 L
Weight	3.44 kg
Power Source	air pressure



Accessory Gun (Optional)

standard with ball valve dispenser

#### K-10B Engine Prelube System

- ▶ Ensures oil is present to internal engine components on the first start of a new or rebuilt engine, or after major engine work is performed.
- ▶ Required to prime the oil pump and fill the oil galleries and internal engine components with clean, new oil.
- ▶ Connects to engine oil system at the oil pressure sensor on a variety of domestic and import engines.
- ▶ Oil pressure sensor adaptors included.

Model	K-10B
Dimension	260x370x595 mm
Capacity	10 L
Weight	3.44 kg



WH-320F Including engine adaptors



## POWER STEERING AND DIFFERENTIAL FLUID CHANGER

#### T-9A Manual Fluid Dispenser

- ▶ Manual design for easy fluid dispensing.
- ▶ Very useful in topping up fluid reservoir.
- ▶ Fluid Control valve to shut off dispensing.
- ▶ Pressure gauge installed.

Model	T-9A
Dimension	600x230 m/m
Weight	2.37 kg
Capacity	9 L



Accessories for T-9A  
WH-320H  
include AT-101-AT-111  
11 PCS



#### PC-500 Power Steering Flushing System

US PAT:10.348.415

- ▶ Power Steering Flush is fast - an average service takes less than ten minutes from start to finish.
- ▶ Power Steering Flush is simple to operate - with easy to follow directions on the manual.
- ▶ Power Steering Flush - has sight tubes that provide dramatic visual comparison during fluid transfer.
- ▶ Power Steering Flush is profitable - More premium services can be performed in less time. Customer satisfaction will be high, leading to more referrals, maximising profit levels.

- ▶ Maneuverable - rolls easily in tight spaces
- ▶ Simple - No tools required
- ▶ Durable - all metal case
- ▶ Easy - instructions printed on lid
- ▶ Convenient - no pits, lifts, or ramps



New Fluid Control knob



New/Oil Fluid Sight Tube



Old Fluid reservoir



New Fluid Filler Cap

Model	PC-500	PC-500A
Dimension	500x480x940 m/m	500x480x940 m/m
Capacity	New Fluid 5L / Used Fluid 16L	New Fluid 5L / Used Fluid 16L
Weight	33.3 kg	33.3 kg



#### DF-1010 Differential Fluid Changer

- ▶ Evacuate and refill fluid through differential inlet.
- ▶ Tube selection makes it easy for accessing hard-to-reach differential inlet.
- ▶ 2 tanks design to hold different fluid
- ▶ 12V DC power
- ▶ Can be used for manual gear box and transfer case fluid change.

Model	DF-1010
Dimension	420x540x1130 m/m
Weight	33.7 kg
Capacity	20 L





Waste Oil Drainer

- ▶ Composite lid and drum with reservoir and drain pan on telescopic post.
- ▶ Gravity drain using tap on rear of unit. Includes visible 'Full Drum' device.
- ▶ Includes large diameter drain pan insert and heavy duty mesh for draining oil filters.
- ▶ Made from high density Polyethylene.

Model	T-30D	T-50D
Dimension	550x550x880~1050 m/m	550x550x900~1070 m/m
Capacity	30 L	50 L
Weight	8.9 kg	12 kg



T-60NL 60L Waste Oil Drainer

- ▶ Waste oil mobile reservoirs to be used for motor and gear oil collection.
- ▶ Drainers can be used under vehicle lifts or inside lubrication pit.
- ▶ Large handle for easy maneuverability.
- ▶ Two brake wheels (Ø3") and two casters (Ø3").
- ▶ Extra large drain bowl / Adjustable collecting bowl / For the convenient and safe collection.
- ▶ Venturi design.

Model	T-60NL
Dimension	450x460x1112 m/m
Capacity	60 L
Weight	24.8 kg
Oil Draining	Air Pressure



T-80D 80L Waste Oil Drainer (Auto check valve)

- ▶ Waste oil mobile reservoirs to be used for motor and gear oil collection.
- ▶ Drainers can be used under vehicle lifts or inside lubrication pit.
- ▶ Large handle for easy maneuverability.
- ▶ Two brake wheels (Ø3") and two casters (Ø3").
- ▶ Extra large drain bowl / Adjustable collecting bowl / For the convenient and safe collection.

Model	T-80D
Dimension	470x560x1140~1580 m/m
Capacity	80 L
Weight	36 kg
Oil Draining	Air Pressure

auto valve design for oil depletion



T-80C 80L Waste Oil Drainer (Auto check valve)

For scissor type lifter

- ▶ Waste oil mobile reservoirs to be used for motor and gear oil collection.
- ▶ Drainers can be used under vehicle lifts or inside lubrication pit.
- ▶ Large handle for easy maneuverability.
- ▶ Two brake wheels (Ø3") and two casters (Ø3").
- ▶ Extra large drain bowl / Adjustable collecting bowl / For the convenient and safe collection.

Model	T-80C
Dimension	450x450x1100~1370 m/m
Capacity	80 L
Weight	29.7 kg
Oil Draining	Air Pressure

auto valve design for oil depletion



Swing arm design



T-80L 80L Waste Oil Drainer (Manual valve)

- ▶ Waste oil mobile reservoirs to be used for motor and gear oil collection.
- ▶ Drainers can be used under vehicle lifts or inside lubrication pit.
- ▶ Large handle for easy maneuverability.
- ▶ Two brake wheels (Ø3") and two casters (Ø3").
- ▶ Extra large drain bowl / Adjustable collecting bowl / For the convenient and safe collection.

Model	T-80L
Dimension	470x560x1140~1580 m/m
Capacity	80 L
Weight	28 kg
Oil Draining	Air Pressure

manual valve design for oil depletion



T-80DT 80L Waste Oil Drainer (Auto check valve)

- ▶ Waste oil mobile reservoirs to be used for motor and gear oil collection.
- ▶ Drainers can be used under vehicle lifts or inside lubrication pit.
- ▶ Large handle for easy maneuverability.
- ▶ Two brake wheels (Ø3") and two casters (Ø3").
- ▶ Extra large drain bowl / Adjustable collecting bowl / For the convenient and safe collection.

Model	T-80DT
Dimension	530x530x1440 m/m
Capacity	80 L
Weight	36 kg
Oil Draining	Air Pressure



Material: Metal

**3ML17105**



530mm

Steel Oil Drain Pan  
3.08 kgs

**3C030005**



550mm

Oil Drain Pan

**217006**



380mm

Collection Bowl  
(For T-80L)

**3C015002**



Pre-Spray Net

## HP-300A 3/8" Diaphragm Transfer Pump

- ▶ Air operated diaphragm pump.

Specification

- ▶ Max. Air Supply Pressure: 8 kgf/cm<sup>2</sup> (120psig)
- ▶ Inlet & Outlet : 3/8 npt
- ▶ Air Inlet : 1/4 npt
- ▶ Max Flow Rate : 8 G.P.M. ( 32 L/Min )
- ▶ Max. Size Solid : φ 2 m/m
- ▶ Suction Lift Capability : 6M Primed , 3M Dry

Materials

- ▶ Non Body Wetted: Aluminum Alloy
- ▶ Body Wetted: A-15: Aluminum Alloy (A)
- ▶ Body Weight: A-15: 4 KG
- ▶ Applications & Chemical Characteristics : Paint, Waste Oil, Resin, Slop ; 5<PH<8

Model	HP-300A
Material Outlet	3/8"
MAX Delivery	28 L/min
Working Pressure	27 bar
Pump Ratio	1:1
Weight	7.58 kg
Dimension	360x290x790 m/m



## B-100 80L Waste Oil Drainer (For Truck)

- ▶ Low level drainer suitable for use on the forecourt and workshop floor.
- ▶ It is designed for commercial truck oil draining.
- ▶ Fitted with gravity drain tap for manual depletion or can be worked with HP-300A model for waste depletion.

Model	B-100
Dimension	1200x700x250 m/m
Capacity	80L
Weight	34 kg

80 L

WITHOUT OIL PUMP



## Pneumatic Oil Filter Crusher

- ▶ Reduce re-cycling costs, take a positive step towards an environment friendly workshop.
- ▶ Bench mounted or free standing pneumatic oil filter crusher.
- ▶ Removes up to 95% of waste oil and crushes filter to less than 1/4 its original size.
- ▶ Up to 5 tonnes of crushing power.
- ▶ Operates on normal workshop compressed air.
- ▶ Unique safety door ensures device will not operate unless secured.

Description / Model	WH-312 Car and light truck	WH-312A Heavy Duty truck
Filter Max. Height	185 m/m	230 m/m
Filter Max. Width	140 m/m	140 m/m
Capacity	Filter up to 230mm High	Filter up to 280mm High
Remark	Without stand case	With stand case
Power	Compressed air 100-120 PSI	Compressed air 100-120 PSI
Dimension	320x330x770 m/m	670x450x1550 m/m



AFTER

BEFORE



Air Safety Switch



Air Pressure Valve



WH-312



WH-312A

(With stand)

## WH-312C Oil Filter Separator With Drain Pan

- ▶ Roller bearing provide smooth rolling action.
- ▶ Hardened hardware throughout.
- ▶ No parts or adapters to change.
- ▶ Separate steel housing & paper filter for best environment protection.

Model	WH-312C
Weight	7.79 kg
Dimension	575x330x210 m/m



## Drum Drain Basin

- ▶ Plastic basin install on drum for receiving waste oil.
- ▶ Intended to be installed at a standard barrel, the drain lid marries with the barrel inlet allowing simple and efficient draining of waste oil from filters etc.
- ▶ Manufactured from chemical resistant high density polyethylene with UV stabilizer.
- ▶ Features ribbed drainage channels and a filter gate to catch foreign objects.

Model	LY-350	LY-550
Weight	0.5 kg	1.7 kg
Diameter	350 mm	600 mm
Capacity	3 L	20L
Material	PP	PP

## LY-350 for 20L/30L drum



## LY-550 for 205L drum



## Tire Axle Drain Pan

- ▶ To drain axle oil during wheel repair.
- ▶ Keeping compartment to hold axle nuts.
- ▶ Optional magnets to make stable sitting on the wheel.



**U-220**



**U-220A**



**U-220B**

Model	U-220	U-220A	U-220B
Dimension	345x213x174 mm	345x213x174 mm	345x213x174 mm
Capacity	2.2L	2.2L	2.2L

## Waste Oil Storer

- ▶ This drain pan have a broad appeal and are suitable for both the DIY user and professional mechanic.
- ▶ Purpose made for the recovery of oil and anti-freeze, these pans help keep the workshop floor free from oily residue and aid return of oil to recycling containers with minimum risk of spills or splashes.
- ▶ Made from high density Polyethylene.
- ▶ Heavy wall construction stays rigid, even with hot oil.
- ▶ Large handle positioned to aid carrying and pouring.
- ▶ Resistant to most chemicals and solvents.
- ▶ Will not dent or rust and are easy to clean.



**WH-050A**



**WH-080A**



**WH-9004BC**



**WH-9004CC**

Model	WH-050A	WH-080A	WH-9004BC	WH-9004CC
Weight	600g	800g	1.27 kg	900 g
Dimension	435x310x115 m/m	600x320x135m/m	585x450x175 m/m	580x410x130 m/m
Capacity	5L	8L	14L	8L

## Waste Oil Receiving Pan



**WH-9004M**



**WH-9004D**



**WH-9004C**



**WH-9004B**



**WH-9004A**

Model	WH-9004M	WH-9004D	WH-9004C	WH-9004B	WH-9004A
Weight	340 g	400 g	600 g	930 g	1.8 kg
Dimension	405x217x68 m/m	430x400x110 m/m	520x390x150 m/m	600x450x180 m/m	820x540x200 m/m
Capacity	2.68L	8L	11 L	15 L	24L
Material	PP	PP	PE	PE	PE

## WH-707B Air Exhaust Fume Extractor

- ▶ This modern, portable, compact exhaust gas extractor is designed to operate in any size workshop and is an ideal alternative to fixed, space consuming, expensive systems.
- ▶ Suitable for use on cars, vans, motorcycles, light commercial, it allows the garage mechanic to work on the vehicle with the engine running, without causing pollution of the air or contravening the current workshop regulations.
- ▶ Exhaust handling machine.
- ▶ The height and elevation is adjustable.
- ▶ Designed as a go anywhere extractor, it is mounted on a robust metal stand with simple and easy to adjust height and suction setting.
- ▶ The unit is powered by air.
- ▶ Working pressure of 5-8 bar.

Model	WH-707B
Dimension	250x280x1230 m/m
Weight	9.14 Kg

Patents Granted in Following Nations			
Taiwan	153477	USA	5.918.647
Japan	3064234	Germany	299197476



**3G021018**



Flexible hose



## Optional Accessories

### 213036 Exhaust Hose For Double Pipes

Operating demonstration for motorcycle.



### 229001 Extended Hose For WH-707B

3m Length



### WH-737A Metal Line Stopper (12pcs)

- ▶ To plug the metal line and prevent fluid leakage in disconnection.
- ▶ Used in fuel lines, brake line, power steering and transmission cooler lines.
- ▶ Suitable for banjo fittings.
- ▶ Rubber insert accessory for quick plug.

Model	WH-737A
Dimension	350x112x75 mm
Weight	270 g
Material	PA



## EC-900A Injection Cleaning System

- ▶ Decrease engine temperature.
- ▶ Decrease fuel consumption.
- ▶ Extended engine life.
- ▶ Cleans carbon of combustion chamber.
- ▶ Cleans carbon deposits of fuel injection nozzle.



Model	EC-900A
Dimension	560x470x960 m/m
Weight	25 kg
Capacity	1L
Power	Air operated



## EC-900J Deluxe Injection Cleaning / Testing Kit -by Fuel Rail

- ▶ Quick coupler connections.
- ▶ Complete set of adapters / fittings.
- ▶ Carbon cleaning function included.
- ▶ Complete tools to remove fuel line.
- ▶ Large pressure gauge.

Model	EC-900J
Dimension	435x390x115 m/m
Weight	6.32 kg



## EC-900DL Super Fuel Injection Testing Kit

- ▶ Quick coupler connections.
- ▶ Complete set of adapters / fittings.
- ▶ Special designed storage case.

Model	EC-900DL
Dimension	435x390x115 m/m
Weight	4.2 kg

### Optional Adaptor For EC-900J and EC-900DL



## EC-900M Carbon Cleaning Set For Manifold and Injector

Model	EC-900M
Dimension	380x100x390 m/m
Weight	21.1 kg
Power	Air operated
Capacity	1000 ml / bottle



Comes with EC-900DL and EC-900G1



## Carbon Cleaning Canister For Manifold & Throttle

### Accessories For EC-900G

Model	EC-900G	EC-900K
Dimension	340x215x130 m/m	63x63x255 m/m
Weight	1.44 kg	500 g
Power	Air operated	Air operated
Capacity	1000 ml	560 ml

Note: EG-900G1 may combine with EC-900J for manifold & throttle cleaning.



### 220028 Spray Nozzle with Fix-Lock Feature



### EC-900G1 S Type Spray Nozzle (optional)



### EC-900K



### EC-900G3 Y Type Spray Nozzle



## Fuel & Air Conditioning Hose Disconnect Set

- ▶ Releases the fuel line locking, quick connect coupler release.
- ▶ Die cast tools suitable for press type quick disconnection joints found on Ford, GM(Vauxhall/Opel) and Chrysler vehicles. Ingenious swivel action allows quick selection of correct sized tool.

Model	Remark
AT-001	It fits any 9mm or 10mm fuel line
AT-002	It fits any 11mm or 12mm fuel line
AT-003	It fits any 13mm, 16mm, 19mm, 23mm fuel line

### AT-001



### AT-002



### AT-003



**AF-90S 90L Cleaning Foam Sprayer (Auto check valve)**

- ▶ Caster with brake.
- ▶ Spray gun - aluminum alloy.
- ▶ Pressure gauge - stainless steel.
- ▶ Mainbody - stainless steel 90L.
- ▶ Connecting to compressor, equipped with 10M long spiral shaped hose.

Model	AF-90S
Dimension	580x580x950 m/m
Capacity	90 L
Weight	24 kg
Operating	60 psi / 4kg
Length	10 m
Diameter	1/2"
Material	Stainless Steel

**DELUXE TYPE**



Pressure gauge-stainless steel



Mainbody-stainless steel



Stainless Nozzle (optional)

**90 L**



**AF-70S 70L Cleaning Foam Sprayer (Manual valve)**

- ▶ Caster with brake.
- ▶ Spray gun - aluminum alloy.
- ▶ Pressure gauge - stainless steel.
- ▶ Mainbody - stainless steel 70L.
- ▶ Connecting to compressor, equipped with 10M long spiral shaped hose.

Model	AF-70S
Dimension	500x500x900 m/m
Capacity	70 L
Weight	22 kg
Operating	60 psi / 4kg
Length	10 m
Diameter	1/2"
Material	Stainless Steel

**ECONOMY TYPE**



Stainless Nozzle (optional)

**70 L**



**AS-30 30L Pneumatic Fluid Atomiser**

- ▶ 30 litres pressure sprayer for spraying non-toxic detergent, low-acid based chemical, low viscosity lubricant and other similar products.
- ▶ Operations include vehicle cleaning, farming, hygiene maintenance, and etc.
- ▶ Continuous use without connecting to air-line.
- ▶ Stainless steel design.

Model	AS-30
Dimension	370x380x835 m/m
Capacity	30L
Weight	12.5 kg
Power Source	Pneumatic
Material	Stainless Steel

**30 L**



**AF-2A Portable Cleaning Foam Sprayer**

Model	AF-2A
Dimension	480x190x290 m/m
Capacity	1.9L
Weight	980 g
Material	HDPE

TW PAT:M,362,300



**WH-108 Foaming Spraying Gun**



**WH-109 Atomising Spray Gun**



**WH-700 Electrical Parts Washer**

- ▶ The system will increase your working efficiency with its unique design.
- ▶ Large filter installed.

Model	WH-700
Dimension	820x620x1150 m/m
Capacity	40L
Weight	65 kg
Horsepower	1/8
Voltage	110V / 220V



3H015004 Filter Net



**WH-702 Brake Disk Lining Cleaning System**

- ▶ Removable filter installed to recycle waste water / detergent.
- ▶ Extra large diameter drain pan & removable filter grid.
- ▶ Mobile design to ensure best manoeuvrability in workshop.
- ▶ Quick loosen and remove dried oil, grease and dirt from the brake.
- ▶ Clean hazardous dust safely from all types of brakes.
- ▶ Design for cleaning vehicle brakes during brake inspections and repair jobs.

Model	WH-702
Dimension	500x450x985-1205 m/m
Capacity	20L
Weight	34 kg
Power	Air operated



**WH-700ML Mobile Parts Washer With Dispensing Nozzle**

- ▶ The system will increase your working efficiency with its unique design.
- ▶ Large filter installed.
- ▶ With power switch.



Model	WH-700ML
Dimension	750x527x231 m/m
Voltage	110V / 220V
Weight	9 kg
Capacity	20 L

**WH-700MI Mobile Parts Washer With Cleaning Brush**

- ▶ The system will increase your working efficiency with its unique design.
- ▶ Large filter installed.
- ▶ With power switch.



Model	WH-700MI
Dimension	750x527x231 m/m
Voltage	110V / 220V
Weight	9 kg
Capacity	20 L

**WH-700MS Mobile Parts Washer with Cleaning Brush**

- ▶ The system will increase your working efficiency with its unique design.
- ▶ Large filter installed.
- ▶ With power switch.



Model	WH-700MS
Dimension	460x660x260 m/m
Voltage	110V / 220V
Weight	5 kg
Capacity	9 L

**SC-2000A Coolant Replacement System**

- ▶ Synchronized operation, which sucks in waste coolant and supplies new coolant at exchange operation.
- ▶ Intake safety valve attached, automatically releases pressure while it is too high.
- ▶ "Engine Off" operation, back flush procedure to remove coolant and particulates efficiently on a hot or cold vehicle.
- ▶ Simple controls and quick coupler connection system make operation extremely fast, clean and easy.
- ▶ Simply connect to upper radiator hose with universal step adaptors.
- ▶ "Air Evacuation" operation to purge trapped air from cooling system to eliminate the possibility of engine damage due to overheating.

**SC-2000A ACCESSORIES**



**RT-919SC**  
Airvac coolant refiller radiator neck coolant adaptor.

Model	SC-2000A
Dimension	480x650x1050 m/m
Capacity	New / Waste Tank: 20L
Weight	61.7 kg

**RT-919AD Radiator Pressure Test Kit**

- ▶ Pressure tester to check leakage of radiator.
- ▶ Multi-adaptors included which apply for most car models in the market.
- ▶ 0-35 psi, colour-coded gauge, pressure release valve, plastic carrying case.
- ▶ Comprehensive operating instruction enclosed.

Model	RT-919AD
Dimension	385x290x102 m/m
Weight	2.94 kg
Quantity	16 Pcs



Pressure testing by hand pump

**RT-919W Radiator Pressure Test Kit**

- ▶ For most truck radiators include: DAF / Iveco / MAN / Mercedes / Renault / Scania / Volvo/Fuso/Hino.
- ▶ Metal sturdy design to ensure long lasting usage.

Model	RT-919W
Dimension	385x85x300 mm
Weight	3.11 kg
Quantity	7 Pcs

Patent No:165822  
US PAT:10.115.296



**RT-919S Radiator Pressure Test Kit**

Model	RT-919S
Dimension	430x330x100 mm
Weight	3 kg
Quantity	20 Pcs

**PRESSURE HAND PUMP**

Includes pressure release valve that, after testing, releases pressure buildup before removing the adaptor from the radiator neck.

Colour-coded Pressure Gauge



**Adaptor list for RT-919S**



NO. 01 (060) **BLACK**  
MERCEDES BENZ



NO. 02 **BLUE**  
AUDI (after 2000)



NO. 03 **YELLOW**  
OPEL. VW. FORD



NO. 04 **RED**  
B.M.W



NO. 05 **ORANGE**  
B.M.W



NO. 06 **BLACK**  
AUDI. CITROEN.  
RENAULT. FIAT. PEUGEOT



NO. 07 **BLACK**  
VOLVO. VW (before 2000)



NO. 08 **BLACK**  
Adjustable Stationary Seat



NO. 09 **BLACK**  
50m/m universal connector with  
No.8 adjustable stationary seat.  
(Japanese car series, European car series)



NO. 10 **BLACK**  
35m/m universal connector with  
No.8 adjustable stationary seat.  
(Japanese car series, European car series)



NO. 11 **BLACK**  
27m/m universal connector with  
No.8 adjustable stationary seat.  
(Japanese car series, European car series)



NO. 12 **BLACK**  
Coordinate No.8 with No.9-11



NO. 13 **BLACK**  
Suitable for the series  
car of radiator's upper  
cap use.



NO. 14  
Stainless fastener



NO. 15 **BLACK**  
HONDA. TOYOTA



NO. 16 **BLACK**  
MITSUBISHI. FORD.  
NISSAN. MAZDA



NO. 17 (040) **BLACK**  
FORD



NO. 18 (042) **BLACK**  
FORD



NO. 19 **BLACK**  
MERCEDES BENZ

**Optional Adaptors For Radiator Testing**



NO. 20 **GREEN**  
FORD



NO. 21 **BLACK**  
GM. FORD



NO. 22 **BLACK**  
G.M., OPEL



NO. 23 **YELLOW**  
BMW E-60



NO. 24 **BLUE**  
FORD. FIESTA.  
MONDEO(after 2010)



NO. 25 (045)  
PREVIA.  
TOYOTA RAV4

**RT-919AD Radiator Pressure Test Kit**

- ▶ Pressure tester to check leakage of radiator.
- ▶ Multi-adaptors included which apply for most car models in the market.
- ▶ 0-35 psi, colour-coded gauge, pressure release valve, plastic carrying case.
- ▶ Comprehensive operating instruction enclosed.

Model	RT-919AD
Dimension	385x290x102mm
Weight	2.94 kg
Quantity	16 Pcs



Pressure testing by hand pump



**RT-919J Radiator Cap Pressure Tester Kit**

- ▶ Pressure tester to check the gasket of radiator cap.
- ▶ Instantly detect leakage of cooling system.
- ▶ Multi-adaptors included which apply for most car models in the market.
- ▶ Hand pump with colour coded gauge.
- ▶ Comprehensive operating instruction enclosed.
- ▶ 0-35 psi, colour-coded gauge, pressure release valve, & plastic carrying case.

Model	RT-919J
Dimension	360x270x80 mm
Weight	1.64 kg
Quantity	10 Pcs



NO. 01 **BLUE**  
TOYOTA. HONDA



NO. 02 **ORANGE**  
MITSUBISHI.  
FORD. NISSAN.  
MAZDA



NO. 03 **BLACK**  
NIPPON HINO



NO. 04 **ORANGE**  
RENAULT.  
AUDI. VW



Pressure testing by hand pump



NO. 05 **RED**  
VOLVO. CITROEN.  
RENAULT. FIAT.  
PEUGEOT



NO. 06 **YELLOW**  
OPEL. VW.  
FORD



NO. 07 **GREEN**  
VOLVO. RENAULT.



NO. 08 **BLACK**  
B.M.W



NO. 09 **BLACK**  
MERCEDES

**Optional**



NO. 10 **BLACK**  
GM. FORD TRUCK.  
OPEL



NO. 11 **ORANGE**  
GM. FORD

**RT-919F Universal Radiator Pressure Test Kit**

- ▶ The adaptor's expandable rubber body allows user to connect to most Automotive Cooling.
- ▶ Systems without the need for additional costly adapters.
- ▶ User can perform pressure testing and cooling system diagnostics simultaneously.
- ▶ 0-35 psi, colour-coded gauge, and pressure release valve, plastic carrying case.
- ▶ Comprehensive operating instruction enclosed.

Model	RT-919F
Dimension	400x380x90 mm
Weight	3.0 kg
Quantity	5 Pcs



WH-801A  
17-24mm



WH-801B  
28-31.5mm



WH-801C  
37-39.5mm



WH-801D  
47-48.5mm



Pressure testing by hand pump



**RT-919W Heavy Truck Radiator Tester**

- ▶ For most truck radiators include: DAF / Iveco / MAN / Mercedes / Renault / Scania / Volvo/Fuso/Hino.
- ▶ Metal sturdy design to ensure long lasting usage.

Model	RT-919W
Dimension	385x85x300 mm
Weight	3.11 kg
Quantity	7 Pcs



**RT-919MD Universal Radiator Tester with Expandable Adaptors**

- ▶ Universal design to fit on most radiator neck.
- ▶ No need for additional costly adaptors.
- ▶ Metal sturdy design to ensure long lasting usage.

Model	RT-919MD
Dimension	385x85x300 mm
Weight	2.16 kg
Quantity	6 Pcs



**RT-919LB Radiator Pressure Test Kit with Coolant Refiller**

- ▶ Universal design to fit on most radiator neck.
- ▶ No need for additional costly adaptors.
- ▶ Metal sturdy design to ensure long lasting usage.

**Include Airvac Coolant Refiller**

Model	RT-919LB
Dimension	514x459x453 mm
Weight	5.87 kg



**RT-919H Airvac Coolant Refiller**

- ▶ Purge trapped air from cooling system to eliminate the possibility of engine damage due to overheating.
- ▶ Performs vacuum leak test on cooling system.
- ▶ Refills cooling system free of trapped air quickly, efficiently and with no mess.
- ▶ Universal rubber body plus four additional bushings covers most vehicle radiators.
- ▶ Muffler dampens noise output during operation.

Model	RT-919H
Dimension	320x180x130 m/m
Weight	1.86 kg
Quantity	8 Pcs



Operating demonstration



**RT-919HA Airvac Coolant Refiller**

- ▶ Purge trapped air from cooling system to eliminate the possibility of engine damage due to overheating.
- ▶ Performs vacuum leak test on cooling system.
- ▶ Refills cooling system free of trapped air quickly, efficiently and with no mess.
- ▶ Universal rubber body plus four additional bushings covers most vehicle radiators.
- ▶ Muffler dampens noise output during operation.

Model	RT-919HA
Dimension	135x103x153 m/m
Weight	0.87 kg
Quantity	7 pcs



**RT-919HB Airvac Coolant Refiller**

- ▶ Purge trapped air from cooling system to eliminate the possibility of engine damage due to overheating.
- ▶ Performs vacuum leak test on cooling system.
- ▶ Refills cooling system free of trapped air quickly, efficiently and with no mess.
- ▶ Universal rubber body plus four additional bushings covers most vehicle radiators.
- ▶ Muffler dampens noise output during operation.

Model	RT-919HB
Dimension	135x103x230 m/m
Weight	1.6 kg
Quantity	6 pcs





**RT-919I Airvac Coolant Refiller**

- ▶ Purge trapped air from cooling system to eliminate the possibility of engine damage due to overheating.
- ▶ Performs vacuum leak test on cooling system.
- ▶ Refills cooling system free of trapped air quickly, efficiently and with no mess.
- ▶ Universal rubber body plus four additional bushings covers most vehicle radiators.
- ▶ Muffler dampens noise output during operation.

Model	RT-919I
Dimension	135x103x138 m/m
Weight	0.63 kg
Quantity	3 pcs

TW PAT:M,362,300



**Coolant Filling Set**

- ▶ Quick and easy way to refill coolant during cooling system bleeding process.
- ▶ Quick, efficient and no mess.

**RT-919K**



Filling process



K-050  
Japanese Vehicles  
American Vehicles



K-041



K-043

MITSUBISHI, FORD,  
NISSAN, MAZDA  
HONDA  
TOYOTA



**RT-919K2**



HYUNDAI KIA  
DAEWOO  
FOR KOREAN MODELS



Model	RT-919K	RT-919K2
Dimension	160x160x260 m/m	160x160x260 m/m
Weight	450 g	500 g
Quantity	4 Pcs	3 Pcs

**RT-919K1 Universal Coolant Filling Set**

- ▶ Quick and easy way to refill coolant during cooling system bleeding process.
- ▶ Quick, efficient and no mess.

Model	RT-919K1
Dimension	160x160x260 m/m
Weight	680 g
Quantity	8 Pcs



**WH-8560 Low Profile Coolant / Antifreeze Receiver**

- ▶ Designed for waste fluid receiving during repairing jobs.
- ▶ Very low profile which can slide under passenger car easily.
- ▶ With covered splash net to prevent spillage and splash.
- ▶ One piece polyethylene plastic can be used for antifreeze.
- ▶ Very suitable for cooling system repairing job.
- ▶ **Only 125mm high.(include casters)**
- ▶ **Polyethylene material.**
- ▶ **Strong construction for heavy duty use.**
- ▶ **4 casters installed provide best maneuverability.**

Model	WH-8560
Dimension	850x600x125 mm
Capacity	20 L
Weight	6 kg



**Line Clamp Triple Pack**

- ▶ Smooth rounded jaw edges prevent damage to internal hose reinforcement.
- ▶ Quick and simple, one-hand use.

**WH-737S**

▶ Material: Aluminum



Large  
Size range : 22mm-60mm  
Size : 63m/m

Medium  
22mm-42mm  
29m/m

Small  
11mm-19mm  
18m/m



Adjustable screw

Model	WH-737S	WH-737	WH-737L
Dimension	350x112x75m/m	350x112x75m/m	185x85x35 m/m
Weight	500 g	270 g	170 g
Quantity	3 Pcs	3 Pcs	1 Pcs

Pat.M214221

**WH-737**

▶ Material: PA



Large  
Size range : 22mm-60mm  
Size : 63m/m

Medium  
22mm-42mm  
29m/m

Small  
11mm-19mm  
18m/m



**WH-737L**

▶ Material: Aluminum

Size range: 18mm-31mm



## VS-1000 Videoscope with 3.5" screen

- ▶ Videoscope for viewing, photograph and video taping
- ▶ 3.5" TFT screen
- ▶ Standard SD card
- ▶ Video output
- ▶ Rechargeable battery
- ▶ Include 5.5 mm semi-rigid probe (IP67)
- ▶ Optional probes available

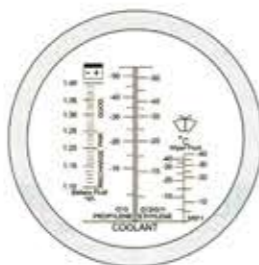
Model	VS-1000
Dimension	123x185x72 mm
Weight	770 g



## SC-414 Portable Refractometer

- ▶ This portable refractometer is a precision instrument designed to measure engine coolant, battery acid and windscreen washer fluid.
- ▶ Remember to use the appropriate scale when measuring the above fluids.

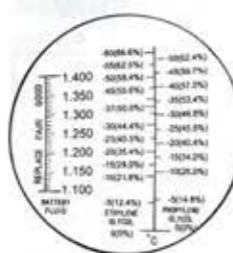
Model	SC-414
Dimension	75x210x52 mm
Weight	350 g
Quantity	5 Pcs



## SC-414A Portable Refractometer

- ▶ This portable refractometer is a precision instrument designed to measure engine coolant, battery acid and windscreen washer fluid.
- ▶ Remember to use the appropriate scale when measuring the above fluids.

Model	SC-414A
Dimension	75x210x52 mm
Weight	350 g
Quantity	5 Pcs



## 5T0002 Antifreeze Tester-Dial Type

- ▶ Tests ethylene glycol strength and includes temperature adjustment scale for accurate interpretation of mixture strength.
- ▶ Composite body and rubber bulb for workshop durability.

Model	5T0002
Dimension	200x90x18 mm
Weight	79 g



## WH-505 Pressure Brake Bleeder

- ▶ Air operated pressure brake bleeder.
- ▶ Suitable for clutch bleed as well as brake bleed.
- ▶ 5 Litre capacity tank.
- ▶ Complete with WH-505CA master cylinder adaptor kit.

Model	WH-505
Dimension	350x275x450 mm
Capacity	5L
Weight	9.6 kg

Patent No:475533



## WH-505A Pressure Brake Bleeder with air tank

- ▶ Air operated pressure brake bleeder.
- ▶ Portable - can be disconnected from air supply.
- ▶ Stores pressure inside tank.
- ▶ Suitable for clutch bleed as well as brake bleed.
- ▶ 6 Litre capacity tank.
- ▶ Complete with WH-505CA master cylinder adaptor kit.

Model	WH-505A
Dimension	350x275x450 mm
Capacity	6L
Weight	12 kg



## WH-505S Stainless Pressure Brake Bleeder (SUS 304)

- ▶ Air operated pressure brake bleeder.
- ▶ Suitable for clutch bleed as well as brake bleed.
- ▶ 5 Litre capacity tank.
- ▶ Stainless steel body.
- ▶ Complete with WH-505CA master cylinder adaptor kit.

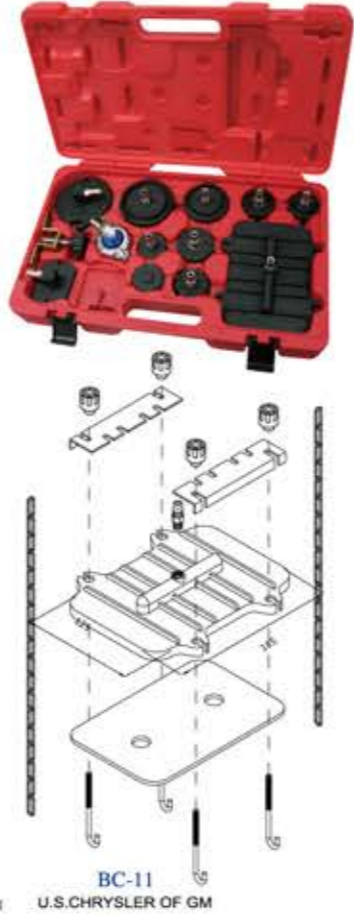
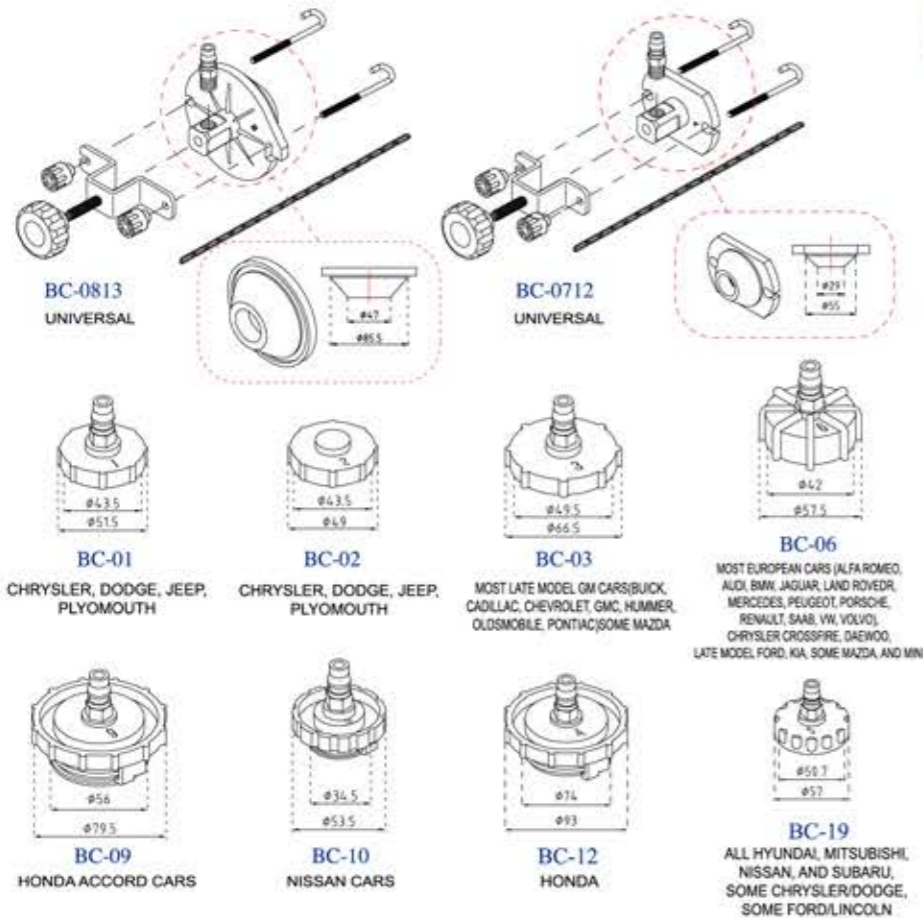
Model	WH-505S
Dimension	350x275x450 mm
Capacity	5L
Weight	10 kg



**WH-505CA Master Cylinder Adaptor Kit** standard set for WH-505 WH-505A WH-505S

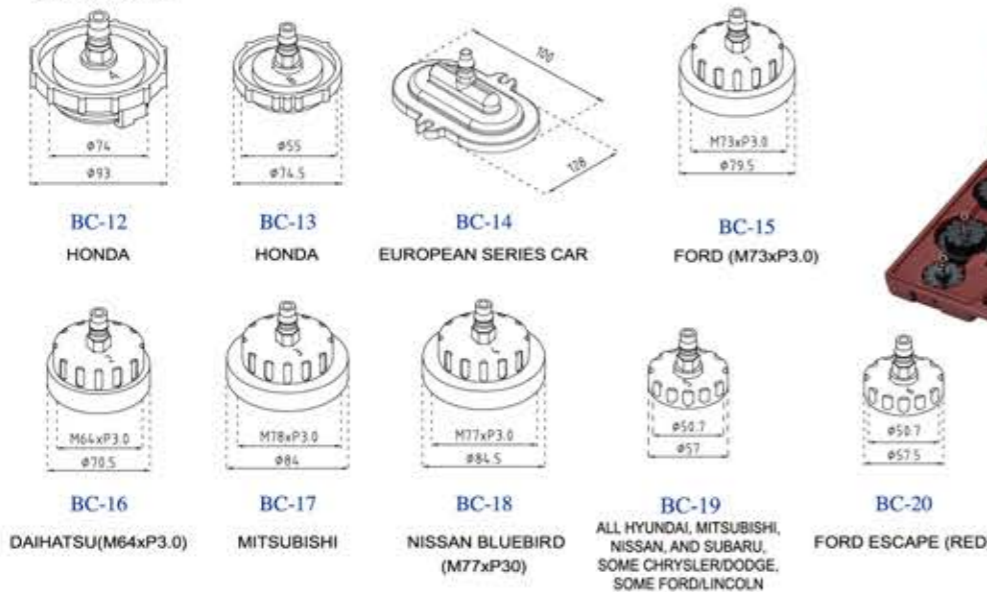
- Suitable for use with most pressure brake bleeders.
- Includes European cap adaptor, multi vehicle caps, American adaptor (GM), BMW/Audi, Nissan, Mazda & Honda.
- This new kit contains master cylinder adaptors and manufacturer specific caps. An adaptor is also to use with traditional pressure bleeders. Adaptors fit 90% of current master cylinder reservoirs and come in a custom molded case.

Dimension : mm



**WH-505CN Master Cylinder Adaptor Kit** Optional set

Dimension : mm



**Master Cylinder Adaptor**

► Material: Zinc alloy

**BC-06A**



Aluminum (optional)  
Weight: 220 g  
For MAZDA

**BC-21**



Dimension: 43 mm  
Weight: 229 g  
For TOYOTA & LEXUS

**BC-22**



Dimension: 35.5 mm  
Weight: 200 g  
For MITSUBISHI

**BC-23**



Dimension: 35 mm  
Weight: 200 g  
For MITSUBISHI

**BC-24**



Dimension: 23 mm  
Weight: 195 g  
For TOYOTA

**BC-25**



Dimension: 74 mm  
Weight: 235 g  
For HONDA

**BC-26**



Dimension: 55 mm  
Weight: 210 g  
For HONDA

**BC-27**



Dimension: 35 mm  
Weight: 320 g  
For NISSAN MICRA, MITSUBISHI COLTPLUS

**BC-31**



Dimension: 43 mm  
Weight: 55 g  
For LUXGEN

**BC-34**



Dimension: 28.5 mm  
Weight: 55 g  
For NISSAN TIIDA, LIVINA, MICRA

**BC-35**



Dimension: 26 mm  
Weight: 55 g  
For MITSUBISHI DELICA

**UK-31**



Dimension: 99.5 mm  
Weight: 250 g

**For Truck**

**TC-1A**



Dimension: 105 mm  
Weight: 160 g  
For FUSO

**TC-2A**



Dimension: 58 mm  
Weight: 94 g  
For ISUZU

**TC-3A**



Dimension: 86 mm  
Weight: 116 g  
For UD

**TC-4A**



Dimension: 37 mm  
Weight: 90 g  
For HINO

**Universal Master Cylinder Adaptor**

- ▶ Use to connect bleeding system to the vehicle master cylinder reservoir.
- ▶ Compatible with a wide range of reservoir designs.

**UK-34**



Dimension:104mm  
Weight:570 g

**UK-36**



Dimension:95x178 mm  
Weight:922g

**UK-35**



Dimension:115x215 mm  
Weight:1008 g

**UK-37**



For GM & CHRYSLER

**WH-505J Vacuum Brake Fluid Bleeder**

- ▶ Vacuum brake bleeder.
- ▶ 3 Litre capacity.
- ▶ Uses standard workshop air supply.
- ▶ Removes fluid via bleed nipples to allow bleeding or entire fluid replacement.

**INCLUDE:**  
WH-508D BRAKE FLUID SUPPLY BOTTLE 1L  
(Adjustable Nozzle)

Model	WH-505J
Dimension	260x190x325 m/m
Capacity	3 L
Weight	1420 g
Material	PE
Power	Air Vacuum



brake bleeding operation.

WH-508D

**WH-505H Manual Brake Fluid Bleeder**

- ▶ Standard with BC-06 adaptor
- ▶ 2.8 Litre capacity.

Model	WH-505H
Dimension	170x190x420 m/m
Capacity	2.8 L
Weight	1140 g
Material	PE
Power	Manual



UK-31  
(Optional)



**PA-506 Vacuum Brake Fluid Bleeder**

- ▶ Vacuum brake bleeder.
- ▶ 6 litre capacity.
- ▶ Uses standard workshop air supply.
- ▶ Removes fluid via bleed nipples to allow bleeding or entire fluid replacement.

Model	PA-506
Dimension	270x230x375 m/m
Capacity	6L
Weight	2.9 kgs
Material	PE
Power	Air Vacuum

200008	Connector for brake fluid suction
200024	10 m/m gear oil tube



**WH-505V 12V Pressure Brake Fluid Bleeder (Stainless Steel Cabinet)**

- ▶ With European and universal adaptors
- ▶ Suitable for clutch bleed as well as brake bleed.
- ▶ 5 litre capacity tank.

Model	WH-505V
Dimension	365x300x820 m/m
Capacity	5L
Weight	13.36 kgs
Power	DC 12V



**WH-505D Pressure Brake Bleeder**

- ▶ Air operated pressure brake bleeder.
- ▶ Suitable for clutch bleed as well as brake bleed.
- ▶ 5 Litre capacity tank.
- ▶ Complete with WH-505CA master cylinder adaptor kit.

Model	WH-505D
Dimension	410x310x900 m/m
Capacity	5L
Weight	16 kg



**WH-508 Vacuum Brake Bleeder**

- ▶ Adopt integrated transparent plastic steel.
- ▶ Unique rubber adaptor for fluid extraction (no leaking).
- ▶ With master cylinder adaptor kit.

Model	WH-508
Dimension	410x310x900 m/m
Capacity	5L
Weight	10 kg



With master cylinder adaptor kit.



**204031 Fluid Supply Bottle**

Model	204031
Capacity	1L
Material	PE+HD



**204079 Bleeding Bottle To Receive Old Fluid**

Model	204079
Capacity	1L
Material	PE+HD



**WH-509 Brake Fluid Tester**

- ▶ There is an electronic circuit design for the tester to maintain its accuracy in the event of power shortage.
- ▶ High-tech brake fluid sensor, easy to hand.
- ▶ User-friendly handle to perfectly fit the hand.
- ▶ The tester exam the quality of the brake fluid.
- ▶ With blow case.

Model	WH-509
Dimension	110x46x210 m/m
Weight	0.3 kg



**BFT-320 Brake Fluid Safety Meter**

- ▶ Award-winning ergonomic design.
- ▶ Operates off 12 volt supply - cars own battery.
- ▶ LCD screen instructions available in 16 different languages.
- ▶ Supplied to the World's leading brake and brake fluid manufacturers.
- ▶ User - friendly.
- ▶ Now available up to 320°C(608°F) - suitable for use on new brake fluid and racing fluids.
- ▶ Will not operate if connected to the wrong polarity.
- ▶ LCD screen instructions lead operator through the complete testing sequence.
- ▶ Own branding available.

Model	BFT-320
Dimension	315x24x100m/m
Weight	1.2 kgs



**204004 Fluid Syringe**



**5T0001 Fluid Syringe**



**204050 Universal Fluid Supply Bottle**

Model	204050
Dimension	150x140x250 m/m
Weight	238 kgs
Capacity	1.5L



**204137 Brake Fluid Receiving Bottle-with check valve design**

- ▶ Brake nipple to fit on all bleeding point.
- ▶ Check valve design to prevent air into the system.

Model	204137
Dimension	76x52x190 mm
Weight	0.28 kg
Capacity	0.6L
Material	HDPE



**Multi-Function Suction Cups**

- ▶ The longitudinal holes in the articulated joints allow the transport of surfaces which are curved beyond standard such as those found on some automobile windscreens.
- ▶ Aluminum handle.

**WH-9601**



**WH-9601J**



**WH-9601K**



Body work application



Model	WH-9601	WH-9601J	WH-9601K
Diameter	125mm,4.92"	100mm,3.93"	75mm,2.95"
Loading Capacity	20 kg	15 kg	10 kg

**TV-169 Manual Vacuum Dent Puller**

- ▶ Sliding hammer to ease dent without damaging to the paint surface.
- ▶ Comes with 3 suction pads.



Model	TV-169
Diameter	135mm
Weight	4.7 kg
Material	Steel & Plastic
Sliding Hammer	1.22 kg



**TV-169A Air Vacuum Dent Puller**

- ▶ Sliding hammer to ease dent without damaging to the paint surface.
- ▶ Comes with 3 suction pads.
- ▶ Get the power and versatility of a slide hammer without marring the finish by welding or drilling body panels.
- ▶ Pneumatic control creates a super-strong vacuum, making it easy to pull most dents out of panels.
- ▶ Instantly removes most dents without damaging paint.
- ▶ Requires air compressor - no drilling, welding or sanding required.
- ▶ 4" and 5" rubber cups for small and large dents.
- ▶ Urethane air supply hose with check valve.



Model	TV-169A
Diameter	135mm
Weight	4.7 kg
Material	Steel & Plastic
Air Inlet	1/4"
Sliding Hammer	1.22 kg



**PS-2105 5pcs Trim Fastener And Molding Removal Kit**

- ▶ Kit includes 5 different sizes and style and of tools to simplify trim and trim stud removal.
- ▶ This kit is made of composite plastic to prevent damage to trim, moldings, alloy wheels, or painted finishes.

Model	PS-2105
Dimension	60x160 m/m
	21x178 m/m
	20x211 m/m
	30x200 m/m
	75x176 m/m
Weight	192 g



**PS-2106 6pcs Mini Trim And Panel Removal Kit**

- ▶ Kit includes 6 different sizes with slim profile to simplify removal of small trim items and panels.
- ▶ This kit is made of composite plastic to prevent damage to trim, panel, or painted finishes.

Model	PS-2106
Dimension	38x198 m/m
	24x202 m/m
	24x200 m/m
	15x202 m/m
	30x202 m/m
	33x198 m/m
Weight	132 g



**PS-2704 4pcs Composite Scraper Kit**

- ▶ Composite Scrapers remove object without marring or damaging aluminum and painted finishes.
- ▶ Ideal for removing trim, residue from alloy wheels, badges and decals from bodywork.
- ▶ Plastic edges will not scratch or mark paint or panel work and can be re-sharpened with a file when required.

Model	PS-2704
Dimension	275mm
Blade sizes	38 mm,25 mm, 23 mm,20 mm
Weight	393 g



**213047 Mini Precision Hammer**

- ▶ Mini hammer fitted with one steel face and one rubber face.
- ▶ Deliver precise force to make an item fit.
- ▶ Suitable for trim and panel works.
- ▶ Less likely to damage painted finishes.

Model	213047
Dimension	55x170mm
Weight	46 g



**KT-918 Assorted Case With Various Compartments**

- ▶ Each compartment with Belt clip for easy carrying.
- ▶ Optional divider for more storage options.
- ▶ Tough composite plastic compartment with selective configuration.
- ▶ Clear see through design to identify contents at a glance.

Model	KT-918
Dimension	300x145x330 m/m
Weight	1.8 kgs



Optional

**KT-612 Assorted Case With Various Compartments**

- ▶ Each compartment with Belt clip for easy carrying.
- ▶ Optional divider for more storage options.
- ▶ Tough composite plastic compartment with selective configuration.
- ▶ Clear see through design to identify contents at a glance.

Model	KT-612
Dimension	300x145x330 m/m
Weight	1.7 kgs



**KT-9615 Assorted Case With Various Compartments**

- ▶ Each compartment with Belt clip for easy carrying.
- ▶ Optional divider for more storage options.
- ▶ Tough composite plastic compartment with selective configuration.
- ▶ Clear see through design to identify contents at a glance.

Model	KT-9615
Dimension	300x145x330 m/m
Weight	1.7 kgs



**Tool Cart Professional Utility Cart**



Model	KT-707E	KT-707F	KT-707TV	KT-909E	KT-909F	KT-909FB	KT-707F1/F2/F3
Dimension	750x460x940 m/m	750x460x980 m/m	750x460x1180 m/m	990x513x950 m/m	990x513x1010 m/m	990x513x1010 m/m	750x460x980 m/m
Upright	560mmx4pcs	280mmx8pcs	200mmx4pcs 560mmx4pcs	560mmx4pcs	280mmx8pcs	280mmx8pcs	280mmx8pcs
Plate	630x424 m/m	630x424 m/m	630x424 m/m	866x500 m/m	866x500 m/m	866x500 m/m	630x424 m/m

- ▶ Quality carts for automotive, shop and maintenance applications.
- ▶ Easy assembly with rubber mallet.
- ▶ Molded shelves won't rust, dent, or require painting.
- ▶ Will not scratch car finish.
- ▶ 4" Brake wheel x2 pcs.
- ▶ 4" Swivel wheel x2 pcs.
- ▶ Material: Plastic.
- ▶ Upright: Aluminum alloy.



Standard wheels with butterfly brake



Optional wheels with step brake

**KT-3852F Economic Utility Cart**

- ▶ Quality carts for automotive,shop and maintenance applications.
- ▶ Easy assembly with rubber mallet.
- ▶ Molded shelves won't rust, dent, or require painting.
- ▶ Will not scratch car finish.
- ▶ 4" Brake wheel x2 pcs.
- ▶ 4" Swivel wheel x2 pcs.
- ▶ Material: Plastic.
- ▶ Upright: Aluminum alloy.

Model	KT-3852F
Dimension	685x435x940 m/m
Upright	280mmx8pcs
Material	Plastic
Plate	500x380 m/m



**Multi Purposes Working Cart**

**KT-4658**



- ▶ Quality carts for automotive,shop and maintenance applications.
- ▶ Easy assembly with rubber mallet.
- ▶ Molded shelves won't rust, dent, or require painting.
- ▶ Will not scratch car finish.
- ▶ 4" Brake wheel x2 pcs.
- ▶ 4" Swivel wheel x2 pcs.
- ▶ Material: PA + 30% fiber.
- ▶ Upright: Aluminum alloy.



Model	KT-4658	KT-4658-2
Dimension	575x460x900 m/m	810x580x455 m/m
Material	PA+30% fiber	PA+30% fiber
Each Upright Height	280mm	555mm
Divider	6pcs	4pcs

**KT-4658-2**



**KT-202DA Mobile Tool Trolley With Hanging Net**

- ▶ Light weight design to provide best maneuverability.
- ▶ Material: Combination between steel, aluminum and PP (fiber) for extra strength and durability.
- ▶ Plate breaking force (PP with fiber): 800kg.
- ▶ 4" hard wearing nylon wheels and locking casters.
- ▶ Drawer size 475x295x60mm.

Model	KT-202DA	
Dimension	1340x750x480 m/m	
Weight	24.7kg	
Upright	560mmx4pcs	
Material	Steel, Aluminum, PP(fiber)	
Material	Plate	120kg / Level
	Drawer	20kg / Each



**Professional Tool Cart**

**KT-201**



**KT-202**



**KT-201N**



Model	KT-201	KT-202	KT-201N
Dimension	750x460x940 m/m	750x460x940 m/m	750x460x940 m/m
Upright	560mmx4pcs	560mmx4pcs	560mmx4pcs
Material	Plastic, Steel	Plastic, Steel	Plastic, Steel

**KT-301**



**KT-301B**



**KT-301AM**



**KT-301BT**



Model	KT-301	KT-301B	KT-301AM	KT-301BT
Dimension	750x460x980 m/m	750x460x980 m/m	750x460x980 m/m	750x460x980 m/m
Upright	280mmx8pcs	280mmx8pcs	280mmx8pcs	280mmx8pcs
Material	Plastic, Steel	Plastic, Steel	Plastic, Steel	Plastic, Steel



## PROFESSIONAL TOOL CART SERIES

### EG-300 Lubrication Service Cart

- ▶ Quality carts for automotive, shop and maintenance applications.
- ▶ Easy assembly with rubber mallet.
- ▶ Molded shelves won't rust, dent, or require painting.
- ▶ Will not scratch car finish.
- ▶ 4" Brake wheel x2 pcs.
- ▶ 4" Swivel wheel x2 pcs.
- ▶ Material: PA + 30% fiber.
- ▶ Upright: Aluminum alloy.



Model	EG-300
Dimension	950x520x930 m/m
Material	PA+30% fiber
Upright	550mmx4pcs
Material	Plastic, Steel

### EG-500 Tyre Service Cart

- ▶ Quality carts for automotive, shop and maintenance applications.
- ▶ Easy assembly with rubber mallet.
- ▶ Molded shelves won't rust, dent, or require painting.
- ▶ Will not scratch car finish.
- ▶ 4" Brake wheel x2 pcs.
- ▶ 4" Swivel wheel x2 pcs.
- ▶ Material: PA + 30% fiber.
- ▶ Upright: Aluminum alloy.



Model	EG-500
Dimension	800x520x1200 m/m
Material	PA+30% fiber
Upright	350mmx8pcs
Material	Plastic, Steel

### EG-600 Windshield Carrying Tool Cart

Model	EG-600
Dimension	850x600x1090 m/m
Material	PA+30% fiber
Upright	350mmx8pcs
Material	Plastic, Steel



## CENTRALIZED FLUID MANAGEMENT SYSTEM

### Recycle Bin And Tray

#### KT-550



#### KT-600



#### KT-508US



#### WH-909FB



Model	KT-550	KT-600	KT-508US	WH-909FB
Dimension	520x370x200 m/m	540x395x180 m/m	400x260x490 m/m	350x235x200 m/m
Material	PP	PP	PE+HD	PE+HD
Capacity			25L	10L

### WH-3000 Centralized Fluid Management System

- ▶ Equipped with heavy-duty pump provides strong vacuum force.
- ▶ Apply to oil water, coolant, extraction.
- ▶ Simultaneously support multi-tasks.
- ▶ Support long-distance operation (200ft in radius)
- ▶ Large vacuum tank provides strong vacuum force.
- ▶ Separate loop design to prolong pump life.

Model	WH-3000
Dimension	650x1420x1700 m/m
Capacity	380L
Weight	260 kg
Volatge	220V / 3HP
Pump	Vacuum Pump



# NUMERICAL INDEX

<b>2</b>	Optional Adaptors For Fuel Retrifer	10	KT-707E	Tool Cart Professional Utility Cart	42
201123	Fluid Syringe	38	KT-707F	Tool Cart Professional Utility Cart	42
204004	Fluid Supply Bottle	37	KT-707F1	Tool Cart Professional Utility Cart	42
204031	Universal Fluid Supply Bottle	38	KT-707F2	Tool Cart Professional Utility Cart	42
204050	Bleeding Bottle To Receive Old Fluid	37	KT-707F3	Tool Cart Professional Utility Cart	42
204079	Brake Fluid Receiving Bottle	38	KT-707TV	Tool Cart Professional Utility Cart	42
204137	Exhaust Hose For Double Pipes	18	KT-909E	Tool Cart Professional Utility Cart	42
213036	Collection Bowl	15	KT-909F	Tool Cart Professional Utility Cart	42
217006	Carbon Cleaning Canister For Manifold & Throttle	20	KT-909FB	Tool Cart Professional Utility Cart	42
220028	Attachment specification for Transmission Filling System	4	KT-918	Assorted Case With Various Compartments	41
225020	Exhaust Hose For WH-707B	18	KT-9615	Assorted Case With Various Compartments	41
229001					
<b>3</b>	Pre-Spray Net	15	<b>L</b>		
3C015002	Oil Drain Pan	15	LY-205	Vacuum Pump Oil Extractor	6
3C030005	Optional Adaptors For Fuel Retrifer	10	LY-2051	Vacuum Pump Oil Extractor	5
3M025382	Optional Adaptors For Fuel Retrifer	10	LY-350	Drum Drain Basin	16
3M025383	Optional Adaptors For Fuel Retrifer	10	LY-40FS	40L Stainless Fuel Retriever	10
3ML17105	Steel Oil Drain Pan	15	LY-550	Drum Drain Basin	16
<b>5</b>	Fluid Syringe	38	LY-70P	70L Venturi System Oil Extractor	8
5T0001	Antifreeze Tester-Dial Type	31	LY-90A	90L Air Venturi Oil Extractor	8
5T0002			LY-90F	90L Stainless Fuel Retriever	10
			LY-90T	90L Air Gear Pump Oil Extractor / Drainer	7
<b>A</b>	10L Pressure Fluid Dispenser	11	<b>O</b>		
AC-10A	Pressure Fluid Dispenser	11	OK-3NG	12L Electrical Gear Pump Oil Extractor	8
AC-5A	Pressure Fluid Dispenser	11	<b>P</b>		
AC-6A	Portable Cleaning Foam Sprayer	22	PA-1011A	Combo Fluid Extractor	6
AF-2A	70L Cleaning Foam Sprayer	21	PA-506	Vacuum Brake Fluid Bleeder	36
AF-70S	90L Cleaning Foam Sprayer	21	PC-500	Power Steering System	12
AF-90S	30L Pneumatic Fluid Atomiser	21	PS-2105	5pcs Trim Fastener And Molding Removal Kit	40
AS-30	Fuel & Air Conditioning Hose Disconnect Set	20	PS-2106	6pcs Mini Trim and Panel Removal Kit	40
AT-001	Fuel & Air Conditioning Hose Disconnect Set	20	PS-2704	4pcs Composite Scraper Kit	40
AT-002	Fuel & Air Conditioning Hose Disconnect Set	20	<b>R</b>		
AT-003	Fuel & Air Conditioning Hose Disconnect Set	20	RT-919AD	Radiator Pressure Test Kit	24
AT-1000A	Professional ATF Exchanger	1	RT-919AD	Radiator Pressure Test Kit	26
AT-3000	Digital ATF Exchanger	1	RT-919F	Universal Radiator Pressure Test Kit	26
<b>B</b>	80L Waste Oil Drainer(For Truck)	15	RT-919H	Airvac Coolant Refiller	28
B-100	Master Cylinder Adaptor	34	RT-919HA	Airvac Coolant Refiller	28
BC-06A	Master Cylinder Adaptor	34	RT-919HB	Airvac Coolant Refiller	28
BC-21	Master Cylinder Adaptor	34	RT-919I	Airvac Coolant Refiller	29
BC-22	Master Cylinder Adaptor	34	RT-919J	Radiator Cap Pressure Test Kit	26
BC-23	Master Cylinder Adaptor	34	RT-919K	Coolant Filling Set	29
BC-24	Master Cylinder Adaptor	34	RT-919K1	Universal Coolant Filling Set	29
BC-25	Master Cylinder Adaptor	34	RT-919K2	Coolant Filling Set	29
BC-26	Master Cylinder Adaptor	34	RT-919LB	Radiator Pressure Test Kit with Coolant Refiller	27
BC-27	Master Cylinder Adaptor	34	RT-919MD	Universal Radiator Pressure Test with Expandable Adaptors	27
BC-31	Master Cylinder Adaptor	34	RT-919S	Radiator Pressure Test Kit	25
BC-34	Master Cylinder Adaptor	34	RT-919W	Radiator Pressure Test Kit	24
BC-35	Master Cylinder Adaptor	34	RT-919W	Heavy Truck Radiator Tester	27
BFT-320	Brake Fluid Safety Meter	38	<b>S</b>		
<b>D</b>	Differential Fluid Changer	12	SC-2000A	Coolant Replacement System	24
DF-1010			SC-414	Protatable Refractometer	31
<b>E</b>	Injection Cleaning System	19	SC-414A	Protatable Refractometer	31
EC-900A	Super Fuel Injection Testing Kit	19	<b>T</b>		
EC-900DL	Carbon Cleaning Canister For Manifold & Throttle	20	T-30D	Waste Oil Drainer	13
EC-900G	Carbon Cleaning Canister For Manifold & Throttle	20	T-50D	Waste Oil Drainer	13
EC-900G1	Carbon Cleaning Canister For Manifold & Throttle	20	T-60NL	80L Waste Oil Drainer	7
EC-900G3	Carbon Cleaning Canister For Manifold & Throttle	20	T-80AG	80L Air Gear Pump Oil Extractor / Drainer	13
EC-900J	Deluxe Injection Cleaning / Testing Kit	19	T-80C	80L Waste Oil Drainer(Auto Check valve)	9
EC-900K	Carbon Cleaning Canister For Manifold & Throttle	20	T-80CJV	80L Waste Oil Drainer / Extractor	14
EC-900M	Carbon Cleaning Set For Manifold and Injector	20	T-80D	80L Waste Oil Drainer(Auto Check valve)	13
EG-300	Lubrication Service Cart	45	T-80DT	80L Waste Oil Drainer(Auto Check valve)	14
EG-500	Tyre Service Cart	45	T-80L	80L Waste Oil Drainer(Manual valve)	14
EG-600	Windshield Carrying Tool Cart	45	T-9A	Manual Fluid Dispenser	12
<b>G</b>	Pneumatic Fluid Extractor	6	TC-1A	For Truck	34
GP-10A	Electrical Gear Pump Oil Extractor	9	TC-2A	For Truck	34
GP-200	16L Air Gear Pump Oil Extractor	9	TC-3A	For Truck	34
GP-2A	12V Portable Oil Transfer Pump	10	TC-4A	For Truck	34
GP-RS			TV-169	Manual Vacuum Dent Puller	39
<b>H</b>	3/8"Diaphragm Transfer Pump	15	TV-169A	Air Vacuum Dent Puller	39
HP-300A			<b>U</b>		
<b>J</b>	Syringe for Vehicle Fluid Change	5	U-220	Tire Axle Drain Pan	17
JL-1500	Syringe for Vehicle Fluid Change	5	U-220A	Tire Axle Drain Pan	17
JL-200			U-220B	Tire Axle Drain Pan	17
<b>K</b>	Transmission Filling System	3	UK-31	Master Cylinder Adaptor	34
K-10A	Transmission Filling System	3	UK-34	Universal Master Cylinder Adaptor	35
K-10A-2	Engine Pre-lube System	11	UK-35	Universal Master Cylinder Adaptor	35
K-10B	Professional Tool Cart	44	UK-36	Universal Master Cylinder Adaptor	35
KT-201	Professional Tool Cart	44	UK-37	Universal Master Cylinder Adaptor	35
KT-201N	Professional Tool Cart	44	<b>V</b>		
KT-202	Professional Tool Cart	44	VS-1000	Videoscope with 3.5" screen	31
KT-202DA	Mobile Tool Trolley With Hanging Net	43	<b>W</b>		
KT-301	Professional Tool Cart	44	WH-050A	Waste Oil Storage	17
KT-301AM	Professional Tool Cart	44	WH-080A	Waste Oil Storage	17
KT-301B	Professional Tool Cart	44	WH-108	Foaming Spraying Gun	22
KT-301BT	Professional Tool Cart	44	WH-109	Atomising Spray Gun	22
KT-3852F	Economic Utility Cart	43	WH-198	Oil Quality Comparator	5
KT-4658	Multi Purposes Working Cart	43	WH-202	Semi Automatic ATF Exchanger	2
KT-4658-2	Multi Purposes Working Cart	43	WH-202A	Semi Automatic ATF Exchanger	2
KT-508US	Recycle Bin And Tray	46	WH-3000	Centralized Fluid Management System	46
KT-550	Recycle Bin And Tray	46	WH-312	Pneumatic Oil Filter Crusher	16
KT-600	Recycle Bin And Tray	46	WH-312A	Pneumatic Oil Filter Crusher	16
KT-612	Assorted Case With Various Compartments	41	WH-312C	Oil Filter Separator With Drain Pan	16

WH-320	ATF Fitting Connectors	2	WH-707B	Air Exhaust Fume Extractor	18
WH-320G	Attachment specification for Transmission Filling System	4	WH-737	Line Clamp Triple Pack	30
WH-320HA	Attachment specification for Transmission Filling System	4	WH-737A	Metal Line Stopper	18
WH-505	Pressure Brake Bleeder	32	WH-737L	Line Clamp Triple Pack	30
WH-505A	Pressure Brake Bleeder with Air Tank	32	WH-737S	Line Clamp Triple Pack	30
WH-505CA	Master Cylinder Adaptor Kit	33	WH-8560	Low Profile Coolant / Antifreeze Receiver	30
WH-505CN	Master Cylinder Adaptor Kit	33	WH-9004A	Waste Oil Receiving Pan	17
WH-505H	Pressure Brake Bleeder	36	WH-9004B	Waste Oil Receiving Pan	17
WH-505J	Manual Brake Fluid Bleeder	35	WH-9004BC	Waste Oil Storage	17
WH-505S	Vacuum Brake Fluid Bleeder	35	WH-9004C	Waste Oil Receiving Pan	17
WH-505S	Vacuum Brake Fluid Bleeder	32	WH-9004CC	Waste Oil Storage	17
WH-505V	Stainless Pressure Brake Bleeder(SUS 340)	36	WH-9004D	Waste Oil Receiving Pan	17
WH-508	12V Pressure Brake Fluid Bleeder	37	WH-9004E1	Drain Pan with Level Scale	3
WH-509	Vacuum Brake Bleeder	37	WH-9004M	Waste Oil Receiving Pan	17
WH-700	Brake Fluid Tester	22	WH-909FB	Recycle Bin And Tray	46
WH-700MI	Electrical Parts Washer	23	WH-9601	Multi-Function Cups	39
WH-700ML	Mobile Parts Washer with Cleaning Brush	23	WH-9601J	Multi-Function Cups	39
WH-700MS	Mobile Parts Washer with Dispensing Nozzle	23	WH-9601K	Multi-Function Cups	39
WH-702	Mobile Parts Washer with Cleaning Brush	23			
	Brake Disk Lining Cleaning System	22			